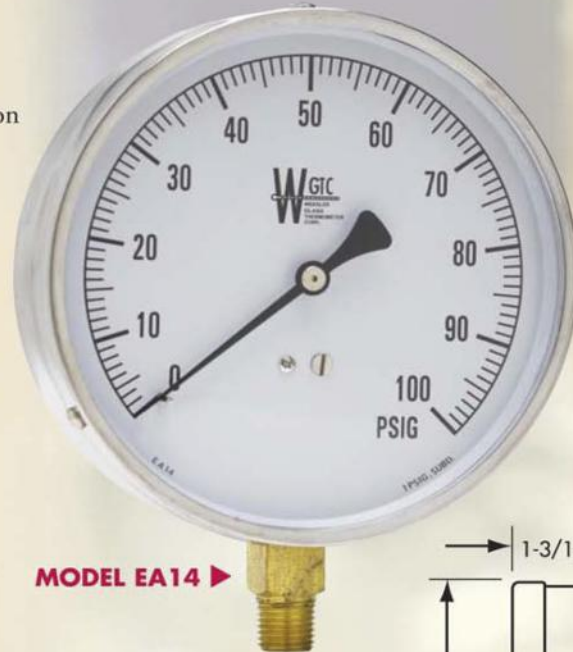


Contractor Pressure Gauge Model EA14



STANDARD FEATURES

- 4 1/2" dial size
- Phosphor bronze bourdon tube and brass connection
- Brass movement
- Corrosion resistant stainless steel case and ring
- Recalibrator in face of gauge
- 1% full scale accuracy per ASME B40.1 Grade 1A
- 1/4" NPT bottom connection
- Suitable for water, air, oil, gas or any medium not corrosive to copper alloys
- Siphon required for steam applications



MODEL EA14 ▶

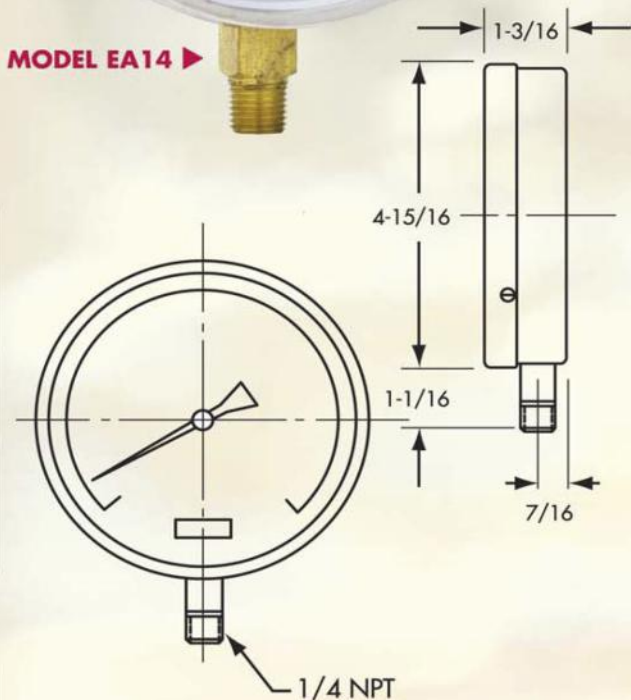
PRESSURE RANGES

CATALOG NO.	DIAL RANGE	FIGURE INTERVALS	SMALLEST GRADUATION
SINGLE SCALE	PSI ONLY	PSI	PSI
EA14-2	0-15	1	.25
EA14-A	0-30	5	.5
EA14-B	0-60	10	1
EA14-C	0-100	10	1
EA14-D	0-160	20	2
EA14-E	0-200	20	2
EA14-F	0-300	50	5
EA14-G	0-500	50	5

VACUUM/COMPOUND RANGES

CATALOG NO.	DIAL RANGE	FIGURE INTERVALS	SMALLEST GRADUATION
SINGLE SCALE	PSI ONLY	PSI	PSI
EA14-H	30"-0" HG VAC	5" HG	.5 HG
EA14-J	30"-0-30	10"HG/10 PSI	1"HG/1 PSI
EA14-K	30"-0-100	15"HG/10 PSI	5"HG/1 PSI
EA14-L	30"-0-150	30"HG/25 PSI	5"HG/5 PSI
EA14-M	30"-0-300	20"HG/50 PSI	5"HG/5 PSI

*Dual Scale PSI and KPA also available



ALTITUDE/PRESSURE RANGES

CAT. NO.	DIAL RANGE	FIGURES	GRADUATIONS
DUAL SCALE	PSI / WATER	PSI / FT	PSI / FT
EA14BALT	0/60 PSI & 0/140 FT	10 / 20	1 / 2
EA14CALT	0/100 PSI & 0/230 FT	10 / 25	2 / 5
EA14DALT	0/160 PSI & 0/375 FT	20 / 50	2 / 5
EA14EALT	0/200 PSI & 0/460 FT	20 / 25	2 / 5

All Island Industrial Sales
681 Grand Boulevard, Unit 3
Deer Park, New York, 11729

Tel: 1 (866) 415-2002
Fax: 1 (866) 415-3019
Sales@industrial-thermometer.com
<http://www.industrial-thermometer.com>