

5" Submarine Thermometer Model 153FC

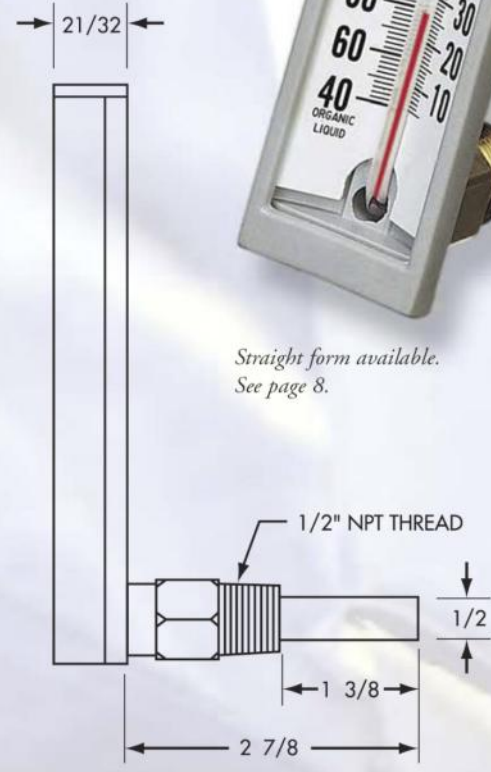
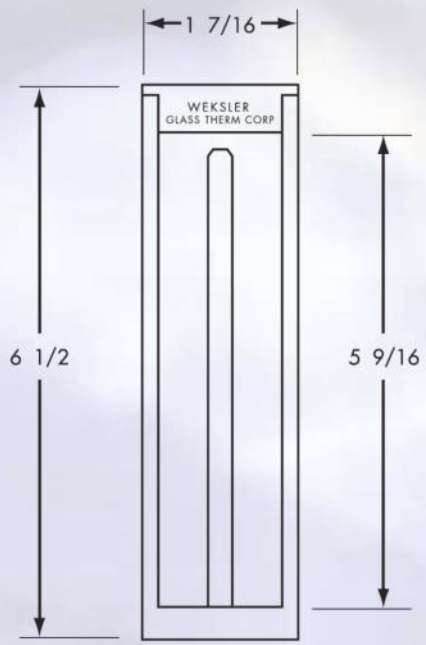


STANDARD FEATURES

- Range 40 to 260° F and C
- Gray ABS case
- No glass face (window)
- Lens front red liquid filled tube
- V-shaped aluminum scale, black figures and graduations on white background
- Complete with 1/2" NPT brass well, 2" nominal length

CATALOG NUMBER

FORM	2" STEM
90° BACK ANGLE	153FC



*Straight form available.
See page 8.*

All Island Industrial Sales
681 Grand Boulevard, Unit 3
Deer Park, New York, 11729

Tel: 1 (866) 415-2002
Fax: 1 (866) 415-3019
Sales@industrial-thermometer.com
<http://www.industrial-thermometer.com>