

5" SCALE SUPER ECONOMY THERMOMETER MODEL 152FC

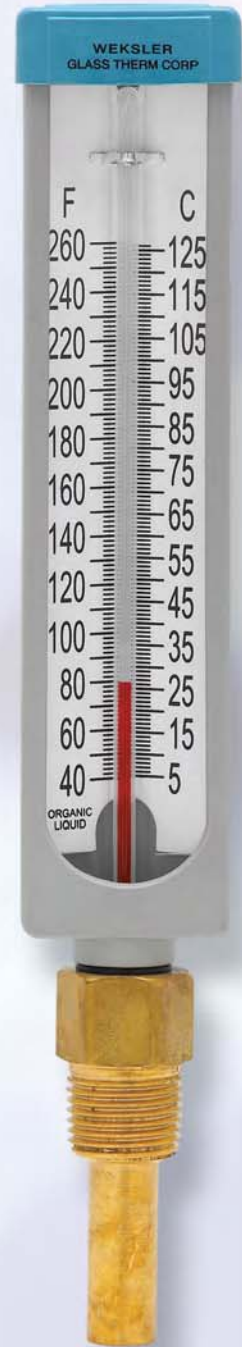
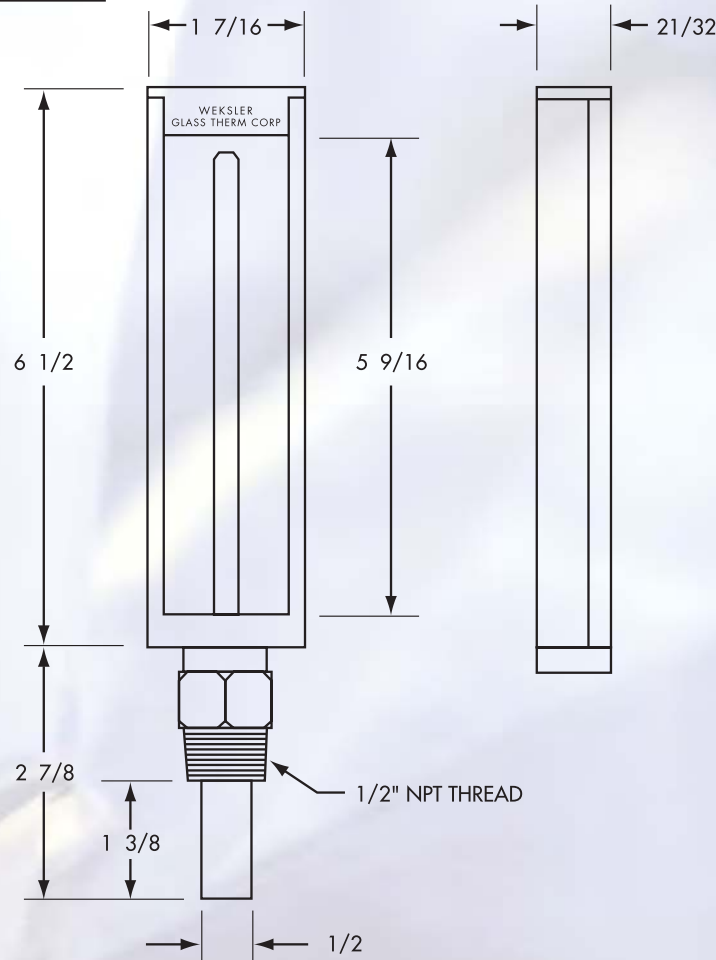
STANDARD FEATURES

- Range 40 to 260° F and C
- Gray ABS case
- No glass face (window)
- Lens front red liquid filled tube
- V-shaped aluminum scale, black figures and graduations on white background
- Complete with 1/2" NPT brass well, 2" nominal length

CAT. NO.
152FC ▶

CATALOG NUMBER

FORM	2" STEM
STRAIGHT	152FC



*Back angle form available.
See page 9.*